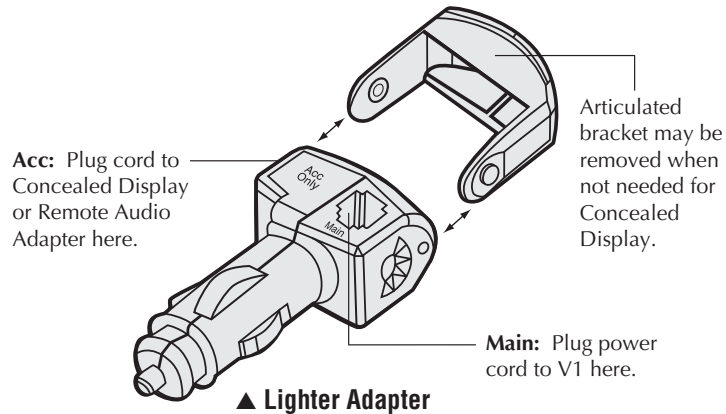


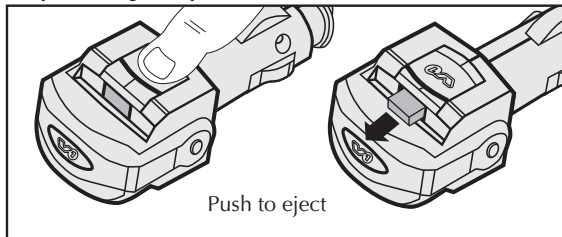
Lighter Adapter

Articulated Bracket ▼

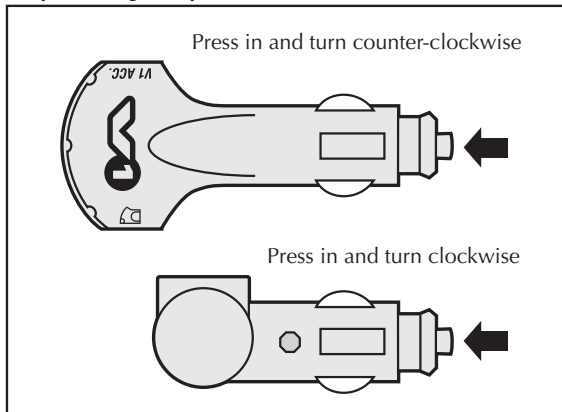


Changing the Lighter Adapter Fuse

Adapters using 2-amp Mini Blade fuse



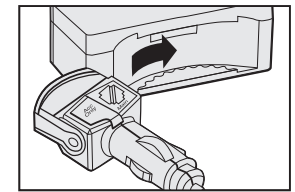
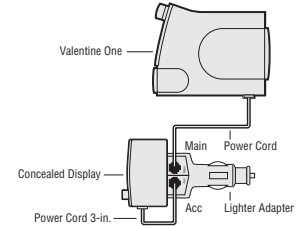
Adapters using 1-amp 5 mm x 20mm fuse



INSTALLATION: Using Lighter Adapter

1. Slide Lighter Adapter with Articulated Bracket into cavity on back of Concealed Display Module.
2. Connect **Acc** on Lighter Adapter to Concealed Display with 3-inch cord.
3. Adjust angle on Lighter Adapter, then insert Lighter Adapter into lighter socket.
4. Run the power cord from the **Main** jack on the Lighter Adapter to Valentine One.
5. To operate, adjust Control Knob and Control Lever on Valentine One to your desired settings.

IMPORTANT NOTE: Do not use Direct-wire Power Adapter with Lighter Adapter.

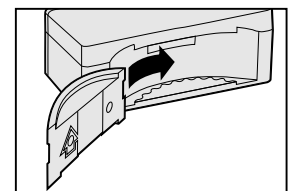
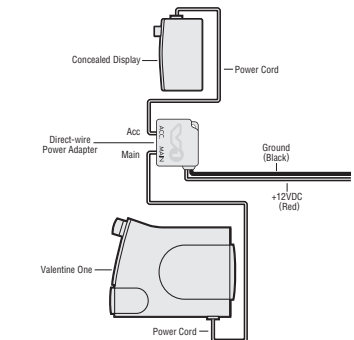


Lighter Adapter slides into place.

INSTALLATION: Using Mounting Plate

1. Slide Mounting Plate into cavity on back of Concealed Display Module.
2. If using Dual Lock®, adhere one square of Dual Lock® to the recess on the back of the Mounting Plate. Adhere mating Dual Lock® square to desired mounting location.
3. If using the Direct-wire Power Adapter, follow instructions on page 19.
4. Run a power cord from the **Acc** jack on the Lighter Adapter, or the Accessory jack on the Direct-wire Power Adapter, to the Concealed Display Module.
5. Run a power cord from **Main** jack on the Lighter Adapter, or the Main Unit jack on the Direct-wire Power Adapter, to Valentine One.
6. To operate, adjust Control Knob and Control Lever on Valentine One to your desired settings.

IMPORTANT NOTE: Do not use Lighter Adapter with Direct-wire Power Adapter.



Mounting plate slides into place.